

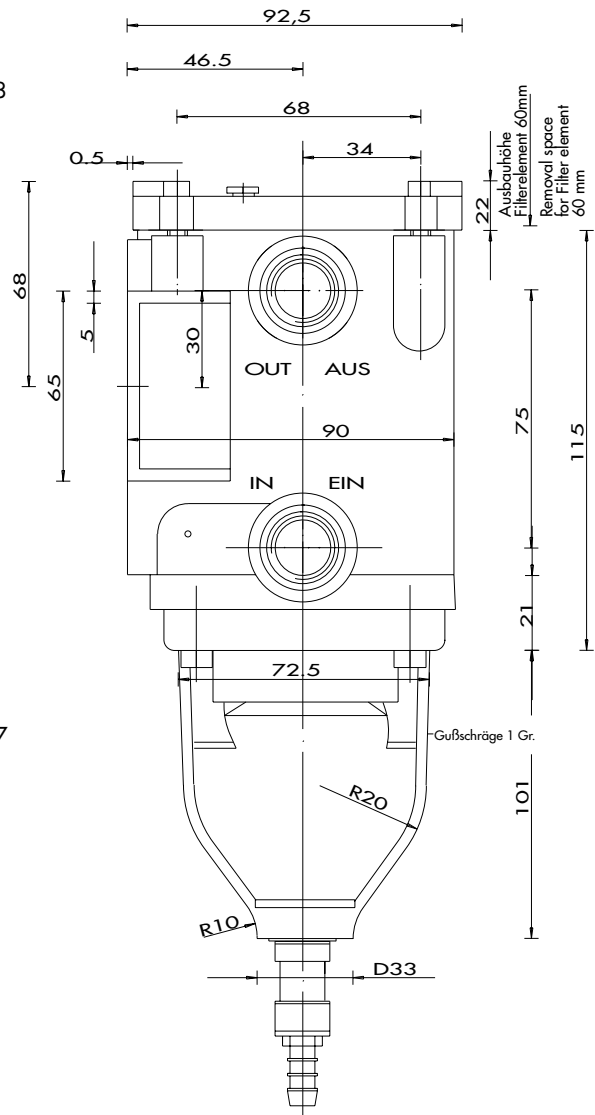
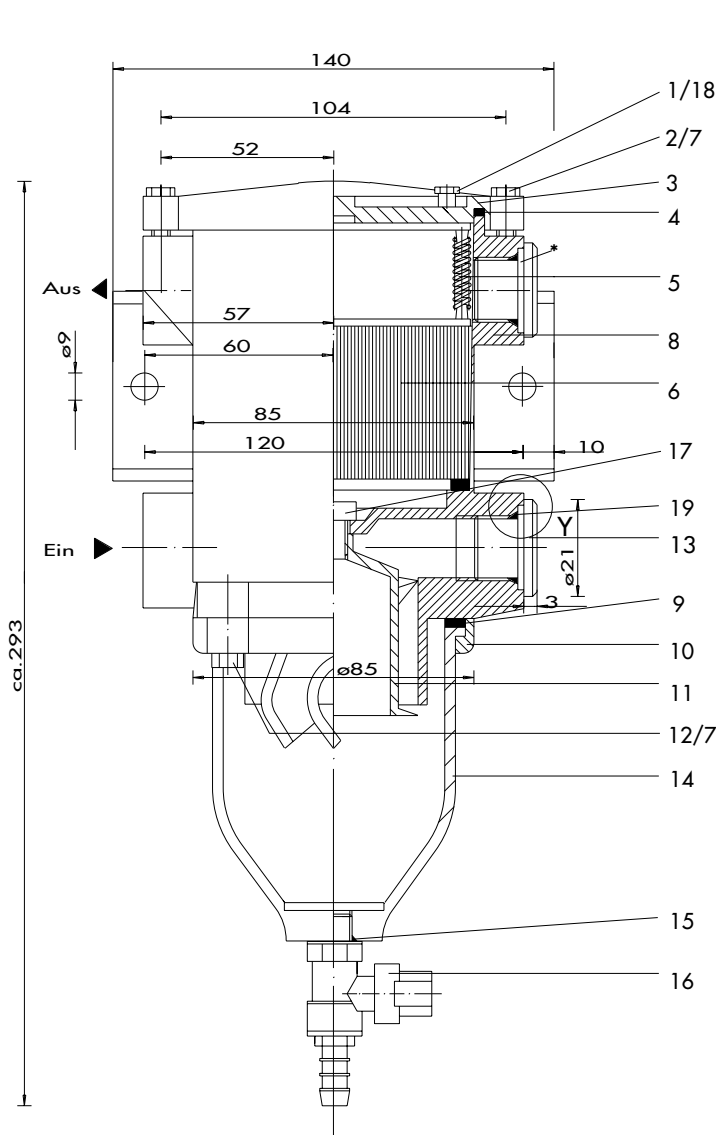
# SEPAR FILTER

## SEPAR 2000

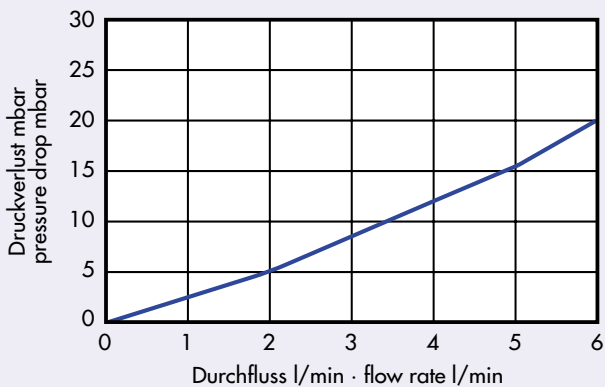
### SWK 2000/5/50



POS.	PARÇA NO ARTICLE NR.	ADET PIECES	PARÇA ADI	DESCRIPTION	POS.	PARÇA NO ARTICLE NR.	ADET PIECES	PARÇA ADI	DESCRIPTION
1	30408	1	Havalandırma vidası	bleed valve	11	30548	1	Merkezkaç	centrifuge
2	30430	4	Kapak vidaları	screw (lid)	12	30561	4	Hazne vidaları	screw (for bowl retainer ring)
3	30542	1	Üst kapak	lid	13	30471	2	Kör tapa	blind screw
4	10367	1	Üst kapak contası	lid gasket	14	30984	1	Plexi hazne	bowl
5	30296	1	Yaylı kaset	spring cassette	15	40002	1	O-Ring	gasket
6	053/50	1	Filtre elemanı	filter element	16	30366	1	Tahliye vanası	drain cock
7	30447	8	Pul	washer	17	30560	1	Merkezkaç vid	screw
8	10170	1	Ana gövde	housing	18	30558	1	Conta Poz. 1	gasket f.Pos.1
9	10366	1	Plexi hazne contası	bowl gasket	19	30472	2	Conta Poz. 13	gasket f.Pos.13
10	30564	1	Hazne tutacağı	bowl retainer ring					

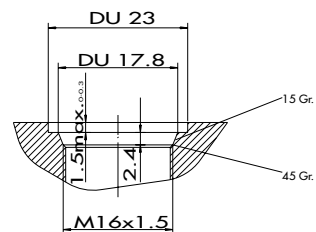


### FLUSSDIAGRAMM · FLOW DIAGRAM



Max. Durchflussmenge: 5 l/min    Anschlussgewinde: M 16 x 1,5  
 Max. flow rate: 5 l/min        Thread: M 16 x 1,5

### Detail Y



Technische Änderungen vorbehalten  
 We reserve the right to make technical changes without notification

**Willibrord Lösing**  
 Filter-Technik



Postfach 86 6009  
 45517 Hattingen  
 Essener Straße 108  
 45529 Hattingen  
 Telefon 023 24/946 00  
 Telefax 023 24/408 42